



LEFROY BROOKS

1 8 2 8 T R O U T M A N S T R E E T
R I D G E W O O D N E W Y O R K N Y 1 1 3 8 5 U S A
T: +1(718) 302 5292 F: +1(718) 302 4177

M2-2200

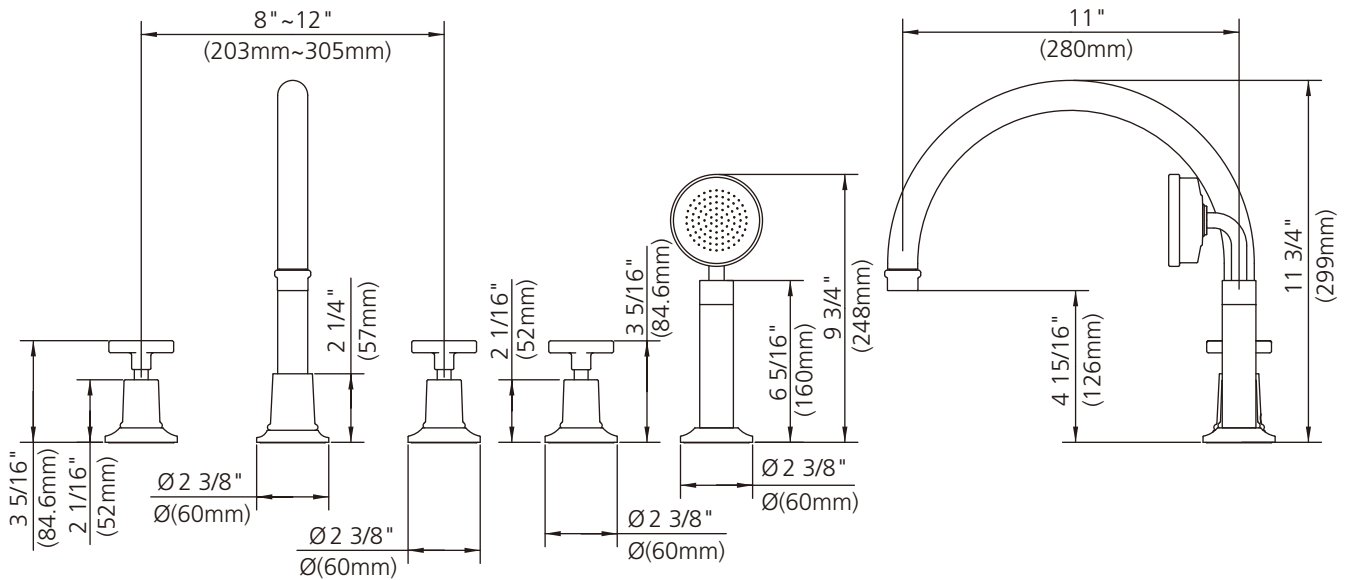
FLEETWOOD CROSS HANDLE 5-HOLE BATH SET & PULL-OUT BLACK
HAND SHOWER WITH DECK DIVERTER TRIM ONLY, TO SUIT
R1-4006 ROUGH

DIMENSIONAL DATA SHEET

DATE: 10 NOVEMBER 2014

No: A66F234

COPYRIGHT © LBIP LTD 2012. ALL RIGHTS RESERVED.

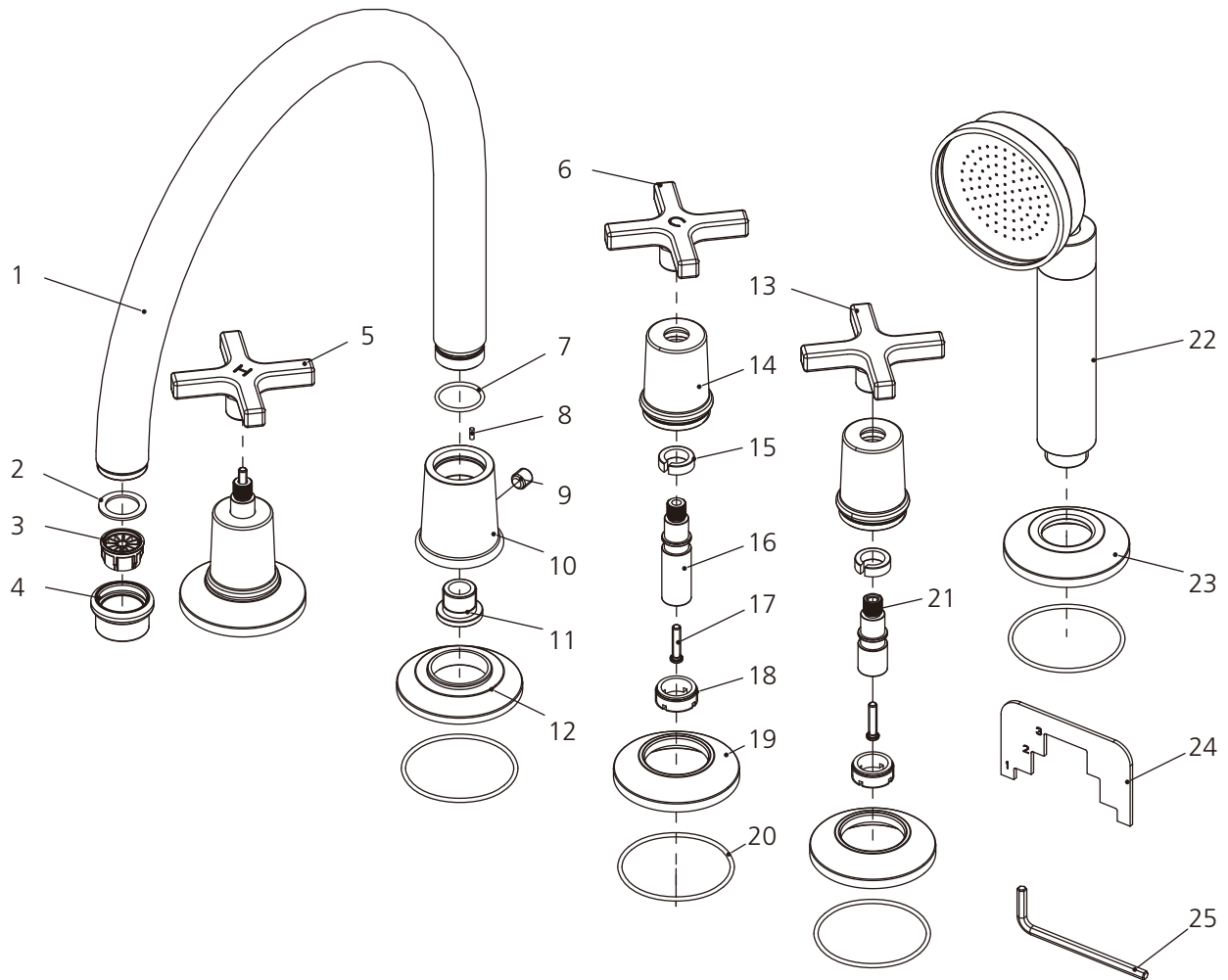


DIMENSIONS IN INCHES & MILLIMETRES

WHILST EVERY EFFORT IS MADE TO ENSURE THE ACCURACY OF THESE DATA SHEETS THEY ARE SUBJECT TO CHANGE WITHOUT NOTICE AS PART OF THE COMPANY'S PRODUCT DEVELOPMENT PROCESS

M2-2200

FLEETWOOD CROSS HANDLE 5-HOLE BATH SET & PULL-OUT BLACK HAND SHOWER WITH DECK DIVERTER TRIM ONLY, TO SUIT R1-4006 ROUGH



- | | | | | | |
|---|--------------------------|----|------------------------|----|--------------------------|
| 1 | Spout assembly (139321) | 10 | Canopy (000111) | 19 | Escutcheon (215478) |
| 2 | Oil seal (010899) | 11 | Adapter (067591) | 20 | O-ring (004591) |
| 3 | Aerator insert (114237R) | 12 | Escutcheon (303013) | 21 | Extension rod (067196-T) |
| 4 | Aerator housing (305032) | 13 | Handle (029685-T) | 22 | Hand shower (S2110314) |
| 5 | Handle (H) (029685H-T) | 14 | Canopy (018209) | 23 | Escutcheon (071433) |
| 6 | Handle (C) (029685C-T) | 15 | Clip (012242) | 24 | Caliper (027104) |
| 7 | O-ring (048030) | 16 | Extension rod (110320) | 25 | Allen key (031011) |
| 8 | Pin (003150) | 17 | Screw (008486) | | |
| 9 | Set screw (292565) | 18 | Adapter (057507) | | |

Standards

IAPMO/cUPC Listed
Meets A112.18.1

Please note :
Final achievable flow rate is dependent on the outlets fitted, see relevant outlets (spouts, roses, sprays) for fully assembled product flow rate.